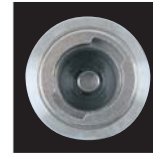


U, G, A & M SYSTEM

IMPORT COUPLERS INCLUDING U.S. THREAD ADAPTERS

| PART NO. | DESCRIPTION | SYSTEM | PROBE MATERIAL |
|----------|---------------------------------|--------|----------------|
| G408 | Guinness / Harp | U | 304 SS |
| GTL425 | Boddingtons | G | 304 SS |
| DH1501 | Warsteiner / Spaten / Paulaner | A | 304 SS |
| M1500 | Veltins / Schneider / Aventinus | M | 304 SS |



U SYSTEM



G408



G SYSTEM



GTL425



A SYSTEM



DH1501



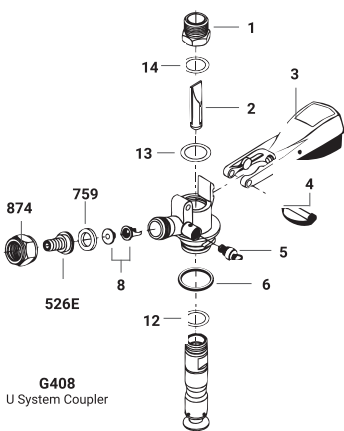
M SYSTEM



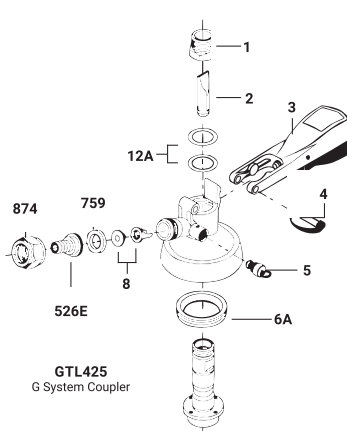
M1500

REPLACEMENT PARTS

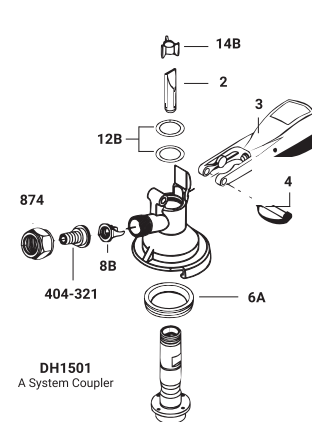
| ITEM | PART NO. | DESCRIPTION |
|------|--------------|---------------------------------------|
| 1 | B409 | Thread adapter |
| 2 | 703-121 | Non-return valve |
| 3 | 762-101-F001 | F-1 handle assembly |
| 4 | 112-480 | Hinge pin with black strap |
| 5 | 733-040 | Pressure relief valve assembly |
| 6 | 102-906 | U system main gasket |
| 6A | 102-539 | G & A System main gasket |
| 8 | 401-038 | Non-return valve with insert |
| 8B | 102-530 | Check valve |
| 12 | 102-911 | U System probe o-ring |
| 12A | 102-566 | G System probe o-rings (two required) |
| 12B | 102-542 | A System probe o-rings (two required) |
| 13 | 102-526 | U System body o-ring |
| 14 | 733-304 | Check valve retainer |
| 14B | 102-524 | Check valve retainer |



G408
U System Coupler



GTL425
G System Coupler



DH1501
A System Coupler

TWIN PROBE REPLACEMENT PARTS

| PART NO. | DESCRIPTION |
|----------|-----------------|
| TC202-8 | Check valve |
| PART NO. | DESCRIPTION |
| 1776-8 | Figure 8 washer |



TC202-8



1776-8